


AFS Series

Interface Terminal Block (screw type)

■ Features

- Compact interface terminal blocks with 7mm terminal pitch
- Optimized for connector type PLCs and input/output of dedicated controllers
- Compact, space-saving design
- 2 mounting methods (DIN rail, screw mount)

※Autonics I/O cable CJ Series is recommended.
Please refer to 'I/O cable' in the I/O terminal block catalogue.

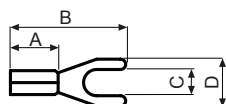
 Please read "Safety Considerations" in instruction manual before using.



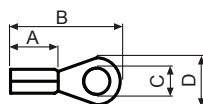
■ Ordering Information

Model	Item	Terminal type	Connector type	The number of connector pin
AFS-H20	Interface terminal block	Screw	Hirose connector	20-pin
AFS-H40				40-pin
AFS-H50				50-pin

■ Terminal Specifications



<Spade terminal>




<Ring terminal>

(unit: mm)

	A	B	C	D	Applicable wire
Spade terminal	≥4.1	≥16.0	≥3.0	≤5.9	AWG 22-16
Ring terminal	≥4.1	≥16.0	≥3.0	≤5.9	(0.30 to 1.25mm ²)

※ Please use UL certified terminals.

■ Specifications

Model	AFS-H20	AFS-H40	AFS-H50
Power supply	≤125VDC=, 125VAC~ 50/60Hz		
Rated current	≤1A		
The number of connector pin	20-pin	40-pin	50-pin
The number of terminal	20	40	50
Terminal pitch	7.0mm		
Applicable wire	AWG22-16 (0.30 to 1.25mm ²)		
Insulation resistance	≥1,000MΩ (at 500VDC megger)		
Dielectric strength	600VAC 50/60Hz for 1 min		
V bration	0.75mm amplitude at frequency of 10 to 55 Hz (for 1 min) in each X, Y, Z direction for 2 hours		
Shock	150m/s ² (approx. 15G) in each X, Y, Z direction for 3 times		
Environ-ment	Ambient temperature	-15 to 55°C, storage: -25 to 65°C	
	Ambient humidity	35 to 85%RH, storage: 35 to 85%RH	
Material	Case: MPPO, terminal pin: Brass		
Tightening torque	0.5 to 0.6 N·m		
Approval			
Weight ^{※1}	Approx. 103g (approx. 71g)	Approx. 175g (approx. 133g)	Approx. 211g (approx. 163g)

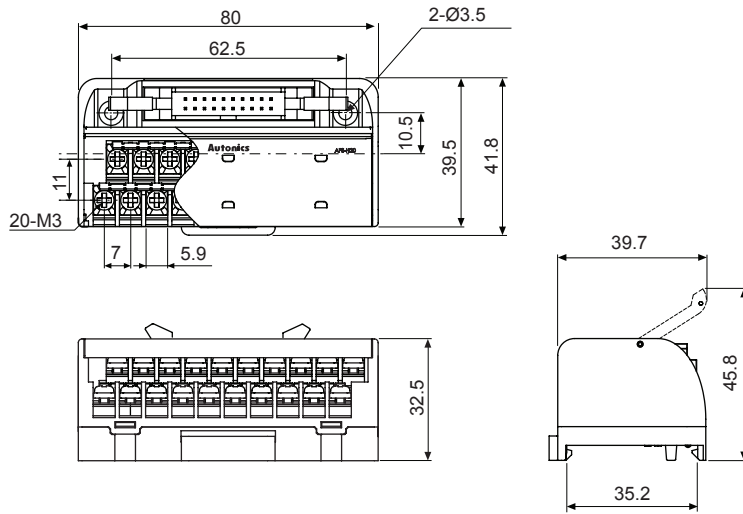
※1: The weight includes packaging. The weight in parenthesis is for unit only.

※Environment resistance is rated at no freezing or condensation.

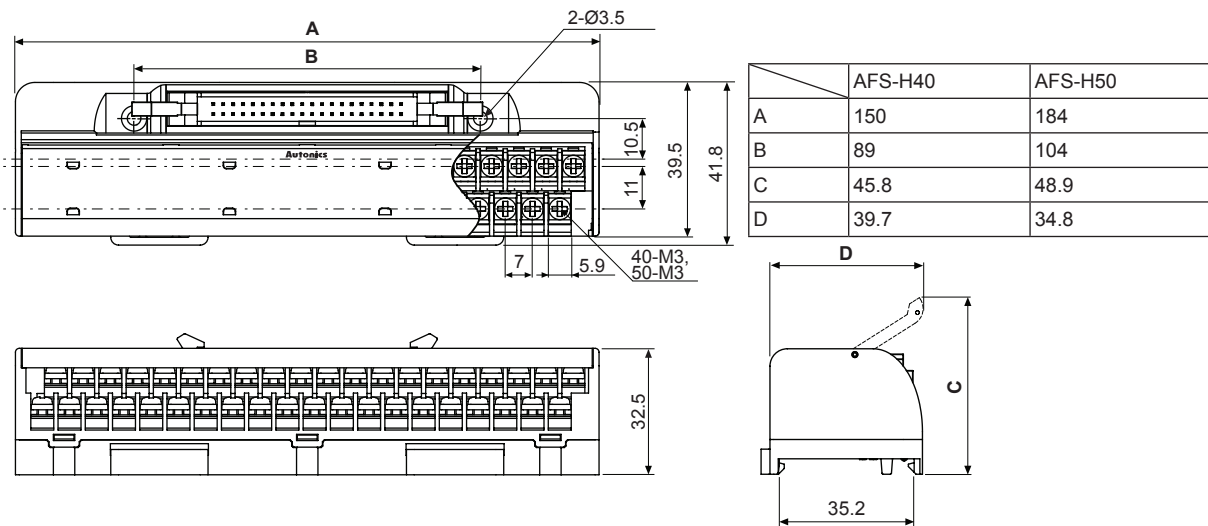
Interface Terminal Block

Dimensions

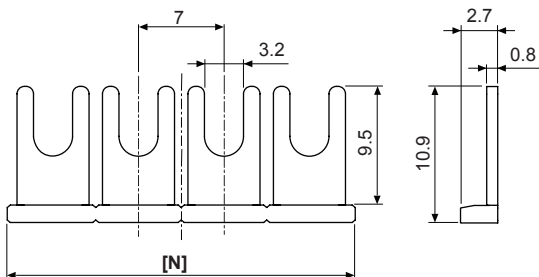
• AFS-H20



• AFS-H40 / AFS-H50



• Jumper bar (sold separately)



Model	JB-7-04	JB-7-10
The number of Jumper bar pin	4	10
[N] size	27.5	69.5

I/O Terminal Blocks

Interface Terminal Blocks
Common Terminal Blocks
Sensor Connector Terminal Blocks
Relay Terminal Blocks

I/O Cables

Remote I/O

Others

AFS Series

AFL Series

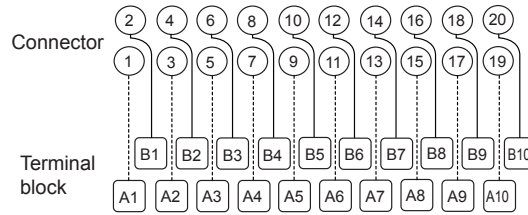
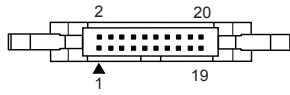
AFR Series

AFS Series

Wire Connections

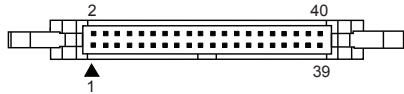
• AFS-H20

※Hirose connector
: HIF3BA-20PA-2.54DSA

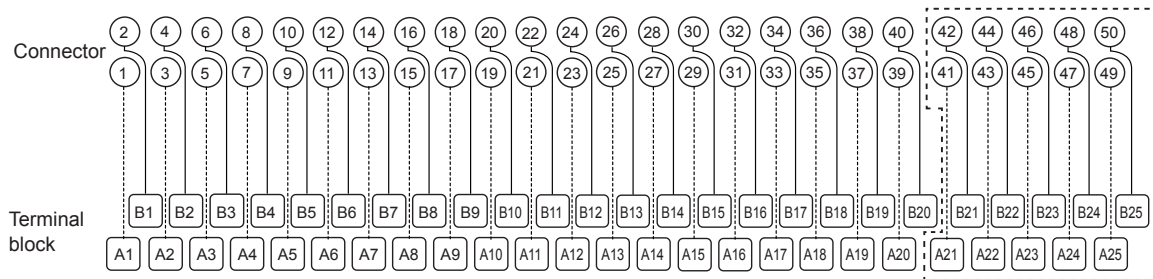
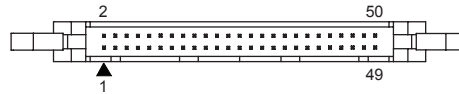


• AFS-H40 / AFS-H50

※Hirose connector
: HIF3BA-40PA-2.54DSA



※Hirose connector model
: HIF3BA-50PA-2.54DSA



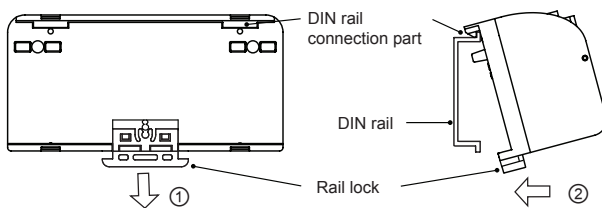
※Dot line part is only for AFS-H50 model.

Installation

○ Mounting and removal at DIN rail

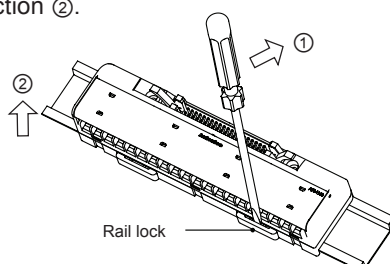
• Mounting

- 1) Pull the rail lock towards direction ①.
- 2) Attach the DIN rail connection hook onto the DIN rail.
- 3) Push the unit towards direction ②, then push the rail lock in to lock into position.



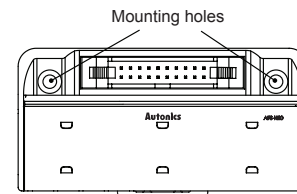
• Removal

- 1) Insert a screwdriver into the rail lock hole and pull it towards direction ①.
- 2) Remove the unit by pulling the unit towards direction ②.



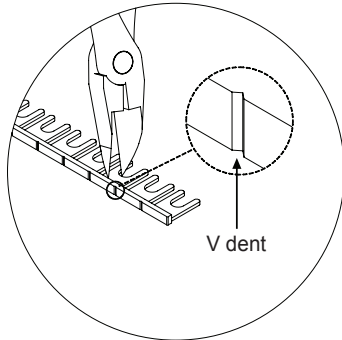
○ Mounting with screws

- 1) The unit can be mounted on panels using the mounting holes next to the Hirose connector.
- 2) M3 × 30mm spring washer screws are recommended for installation. When using flat washers, use Ø6mm diameter washers. The tightening torque should be from 0.5 to 0.7 N·m.

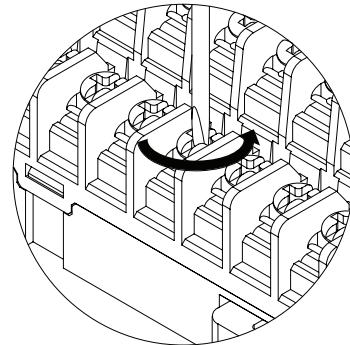


■ Installing Jumper Bars

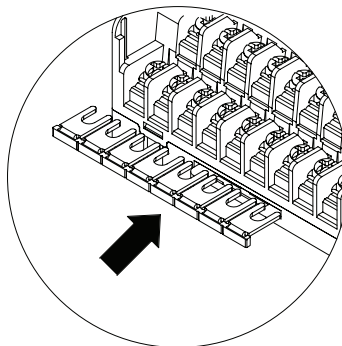
1) Cut the jumper bar to the user's desired length by cutting at the V dent using a nipper.



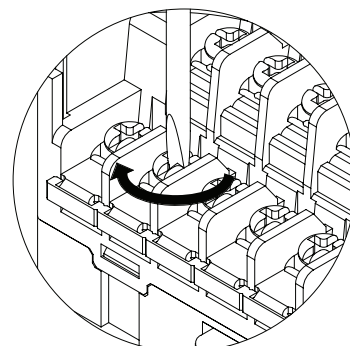
2) Unfasten all the screws of the terminals you wish to commonize.



3) Insert the jumper bar below the unfastened screws.



4) Tighten all the screws above the jumper bar.



■ Cautions during Use

1. Do not use the product outside of rated temperature and humidity.
2. Check to make sure that voltage fluctuation in the power supply is within the rated range.
3. When connecting PLC or other controllers, check the power polarity before wiring.
4. Use AWG 16 (1.25mm²) wire and use appropriate connectors for the terminals.
5. Do not connect or disconnect the connector or perform any wiring work while supplied with power.
6. Do not use the unit in the following environments.
 - ① Environments with high vibration or shock
 - ② Environments where strong alkalis or acids are used
 - ③ Environments with exposure to direct sunlight
 - ④ Near machinery which produce strong magnetic force or electric noise
7. This unit may be used in the following environments.
 - ① Indoors
 - ② Altitude max. 2,000m
 - ③ Pollution degree 2
 - ④ Installation category II

I/O Terminal Blocks

Interface Terminal Blocks

Common Terminal Blocks

Sensor Connector Terminal Blocks

Relay Terminal Blocks

I/O Cables

Remote I/O

Others

AFS Series

AFL Series

AFR Series